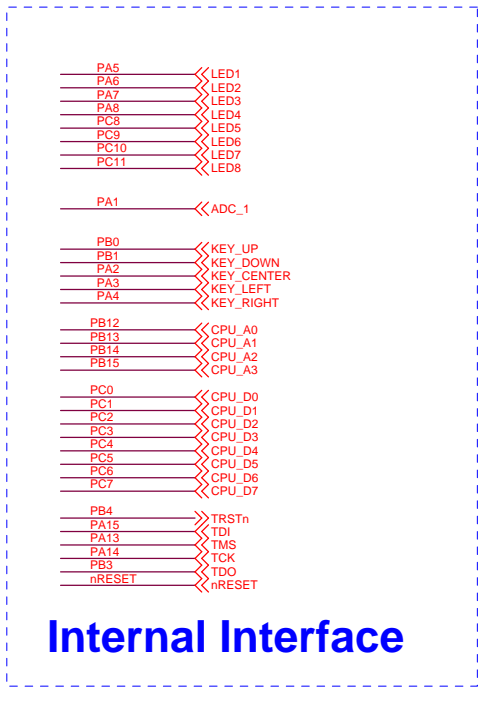
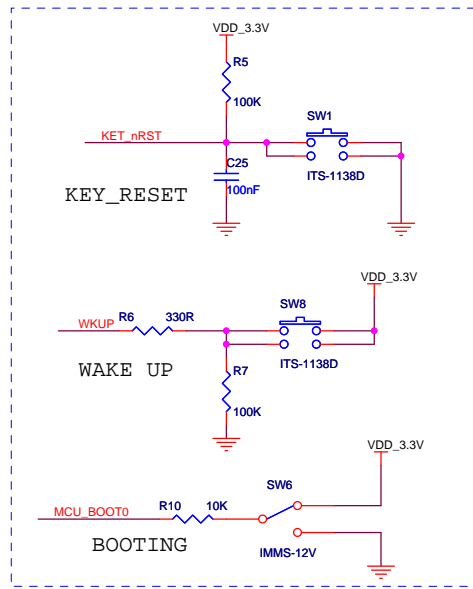
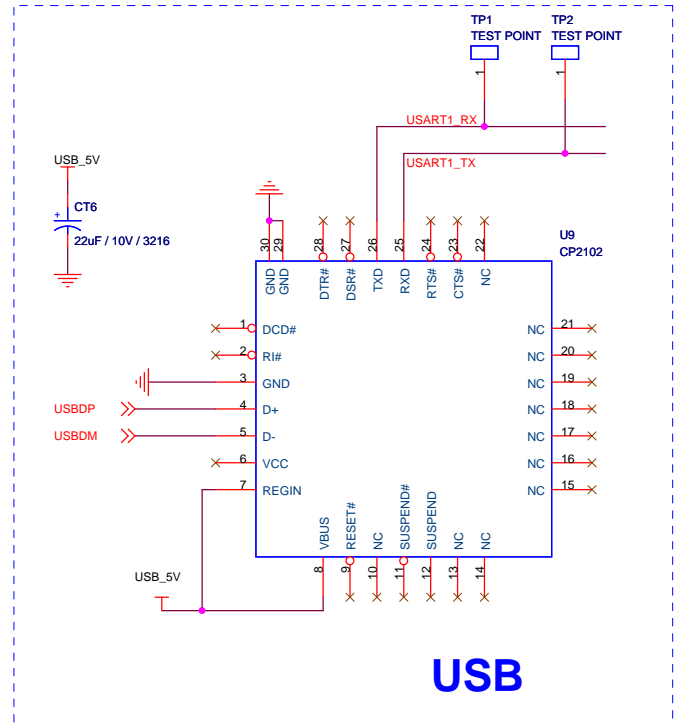
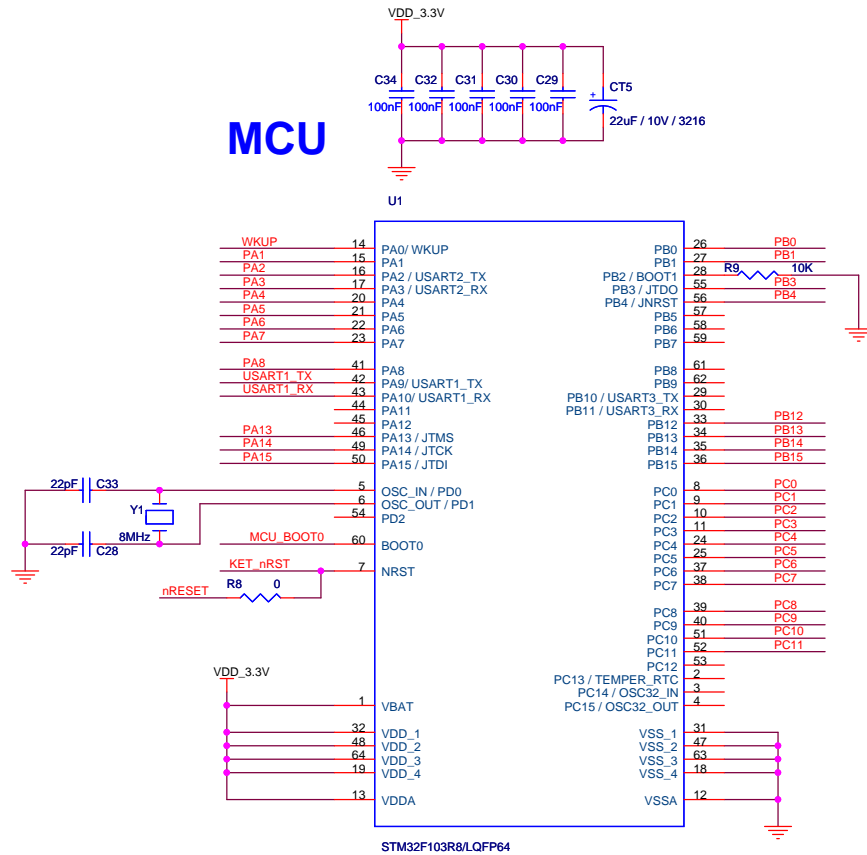


STM32-ENTRY BOARD

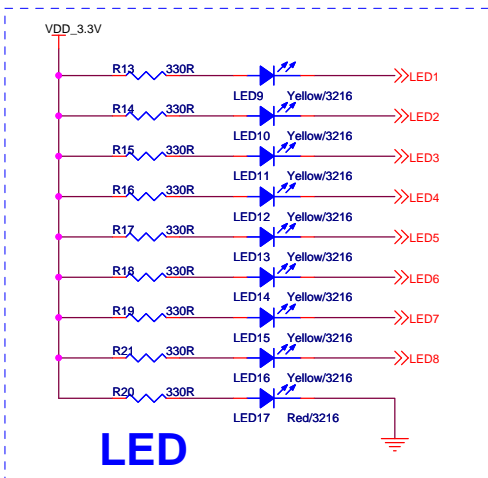
Table of Contents

Page	Function
00	TITLE
01	MCU / USB
02	POWER / PERIPHERALS

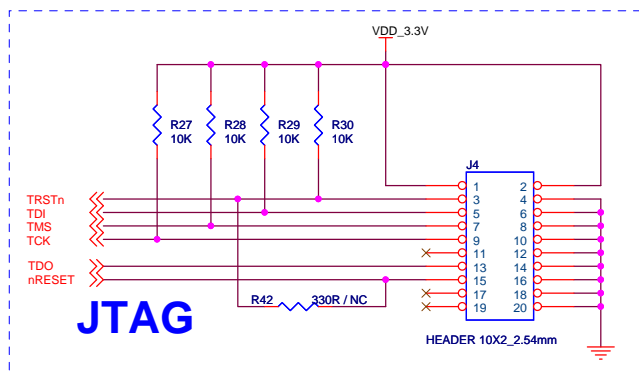
MCU



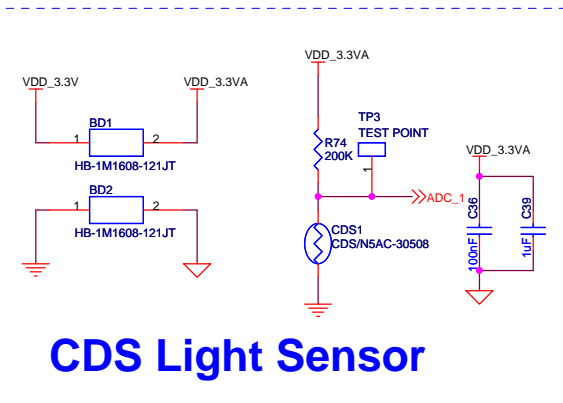
Title		
STM32-ENTRY BOARD		
Size	Document Number	Rev
A3	<Doc>	0.1
Date:	Monday, October 20, 2014	Sheet 2 of 3



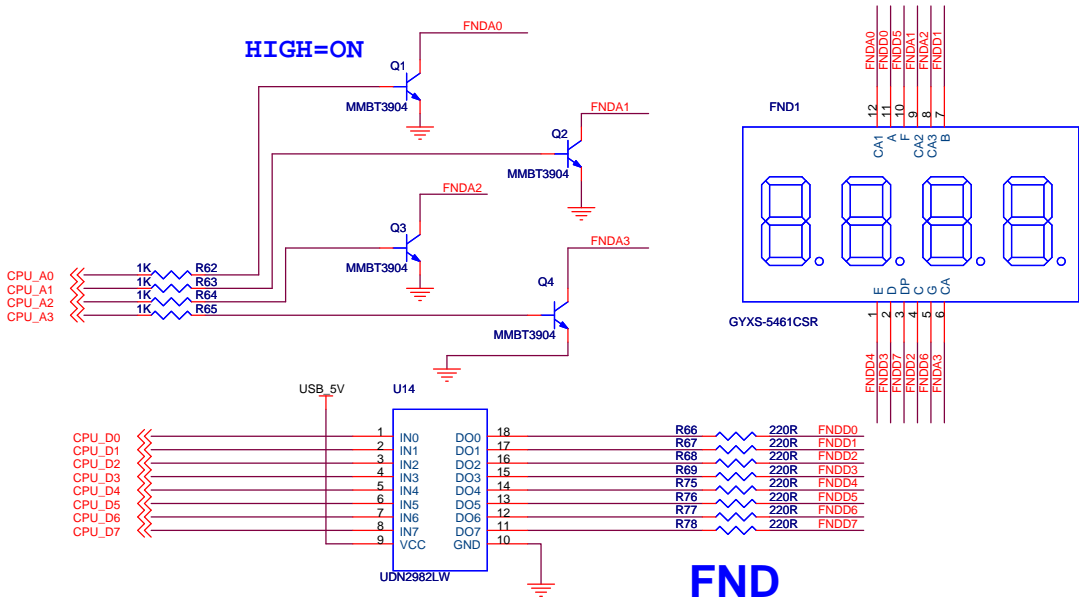
LED



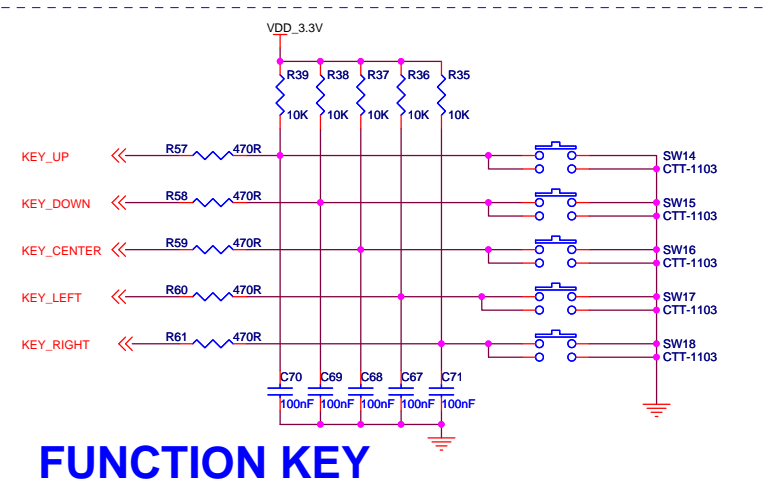
JTAG



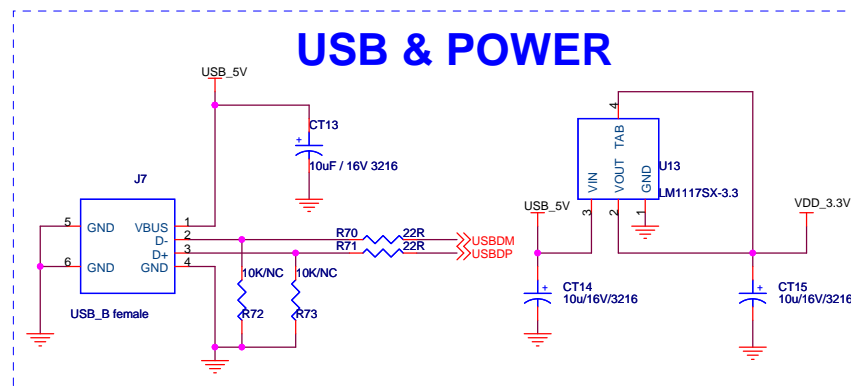
CDS Light Sensor



FND



FUNCTION KEY



USB & POWER

Title		
STM32-ENTRY BOARD		
Size	Document Number	Rev
A3	<Doc>	0.1
Date:	Monday, October 20, 2014	Sheet 3 of 3